

The new TXQ is the best solution for those sound reinforcement applications requiring a multichannel amplifier with a mid output power density and a very good sounding characteristic but on an affordable budget. Implementing Power Factor Correction (PFC) technology along with Universal Mains Regulated SMPS power supply and Class D power modules the TXQ series combines in the same amplifier all the functional requirements for most sound reinforcement applications.

Features

- Class D power modules.
- Universal mains Regulated SMPS.
- XLR signal input and link connectors.
- SpeakON NL4 and binding-post output connectors.
- Input sensitivity selector (0.775v / 1V / 32dB).
- Routing mode selector (stereo / bridge / parallel).
- Link mode selector (1-in 4-out / 2-in 4-out).
- Channel independent protection and clip warning indicators on the front panel.
- Channel independent power and -5dB / -10dB / -20dB / signal presence indicators on the front panel.
- Low unit weight.

Technology

Class D

SAE Audio Class D technology implements the most advanced electronics within the smallest form-factor amplifier modules. The Class D amplifiers by SAE Audio implement the most efficient sound amplification technology available today, providing an unmatched system portability and affordability with the best sonic performance.

Power Factor Correction

SAE Audio innovative Power Factor Correction (PFC) technology along with its renowned R-SMPS power supply allows to draw current from the mains in a more efficient way translating to a higher output power with a lower power consumption. Additionally PFC improves audio quality; it generates lower harmonics of the mains frequency thus reducing the hum and induced distortion because of perturbed mains.

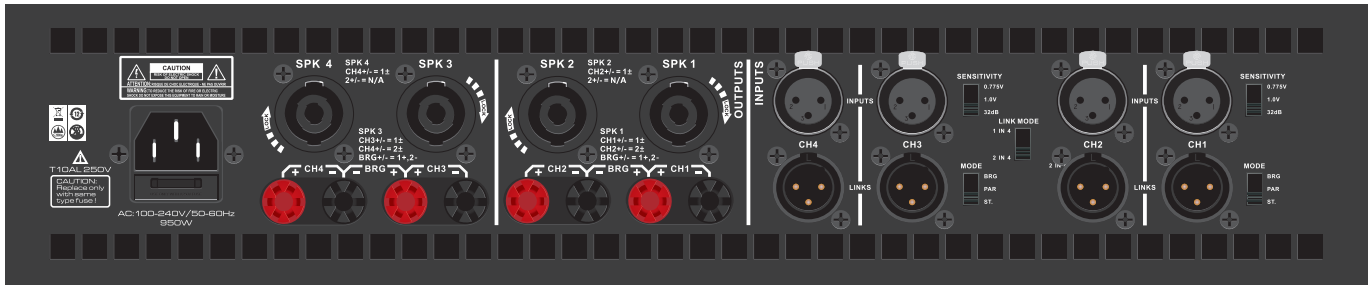
Applications

- Sound reinforcement applications with mid power density and good sounding requirements.
- Small to mid sized bar/café/lounge installation.
- Portable or rental industry PA system.

Universal Mains R-SMPS

SAE Audio renowned Regulated SMPS power supply has been further improved with universal mains operation on all the range from 90V to 260V, eliminating the need for market specific power supplies and related reliability issues. The Universal Mains Regulated SMPS power supply delivers consistent power world-wide.





TX300Q rear panel

Specifications

Model	TX300Q	TX500Q	TX650Q
Output power (AC 220V / 50Hz. ±10%, All channels driven output power, THD=1%)			
8Ω stereo	300Wx4	500Wx4	650Wx4
4Ω stereo *	500Wx4	750Wx4	1100Wx4
2Ω stereo *	750Wx4	950Wx4	1550Wx4
8Ω bridge *	1000Wx2	1300Wx2	2000Wx2
4Ω bridge *	1500Wx2	1900Wx2	2600Wx2

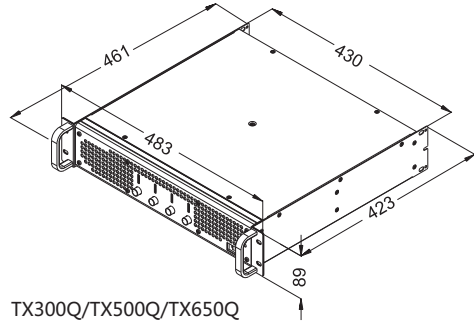
Other specification

Frequency response	20Hz-20kHz(+0/-1dB)		
THD+N	≤0.1%		
S/N rate	≥100dB		
Damping factor	≥500		
Slew rate	≥10V/μs		
Input sensitivity	0.775/1.0V/32dB		
Input impedance(bal/unbal)	20kΩ/10kΩ		
Voltage gain (8 ohm)	36dB	38.2dB	39.3dB
Output circuitry	Class D		
Cooling	Air flow from front to rear		
Protection	Soft start, VHF, RF, Th erefore, short circuit, over load, clip limit, over heat, progressive volume		

Dimension / Weight

Product Dimension(mm)	483x435x89	483x435x89	483x435x89
Packaging Dimension(mm)	560x540x170	560x540x170	560x540x170
G.W.	10.7kg	11kg	11.3kg
Power Supply	13A power cord		

Dimension(mm)



Remark : 1. *,The power is tested under the condition of 20ms burst,1kHz sine wave and 1% THD
 2. The other power is tested under the condition of 40ms burst,1kHz sine wave and 1% THD
 SAE reserves the right to make any changes to the product specifications without prior notice. Final specifications to be found in the user manual.